



SM040-2

Package Contents:

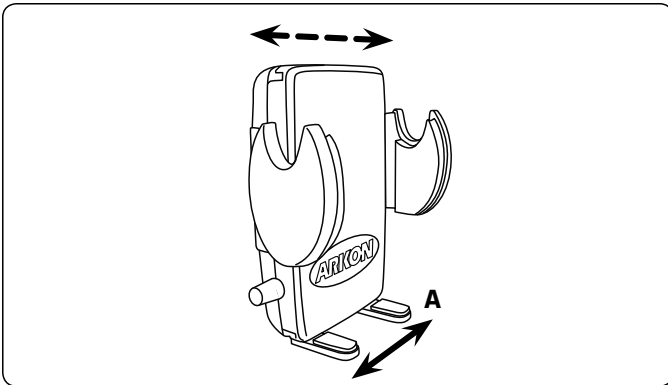
(1) SM040-2 - Mega Grip Universal Smartphone Holder

Compatible with:

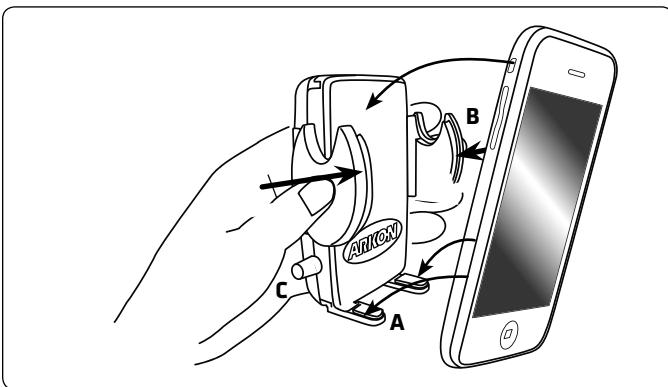
Smartphones and other devices up to 3.25" wide, with no height restriction.

Universal Holder Adjustments

- 1 If necessary, adjust the removable support legs (A) by sliding them laterally on top or bottom of the holder. These will provide added support and stability for your device.



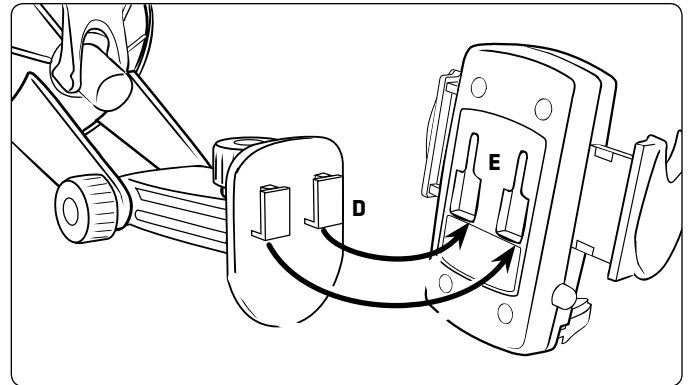
- 2 Place device on the support legs (A) and squeeze the side grip arms (B) until they fit securely to the device.



- 3 Push the release button (C) to open the side grip arms and remove the device.

Pedestal Attachment

- 1 Attach the universal holder to the Dual T-Tab pedestal head (D) (not included, sold separately) by inserting the T-Tabs into the T-Slots (E).



! Safety Precautions

Do not install Arkon products over an air bag cover or within the air bag deployment zone. Arkon Resources, Inc. assumes no responsibility of liability for injury or death as a result of car crashes and / or air bag deployment.

Arkon is not responsible for any damages caused to your vehicle, your device, or yourself due to the installation or use of this mount.

ARKON
RESOURCES INC.

The Mobile Mounting Specialists™

Consumer Hotline:

USA (800) 841-0884

INT'L (626) 254-9005

Monday - Friday 9 am - 5 pm, PST

www.arkon.com

Arcadia, CA 91006 USA

Designed in USA | Made in China

© Copyright 2014 Arkon Resources, Inc.